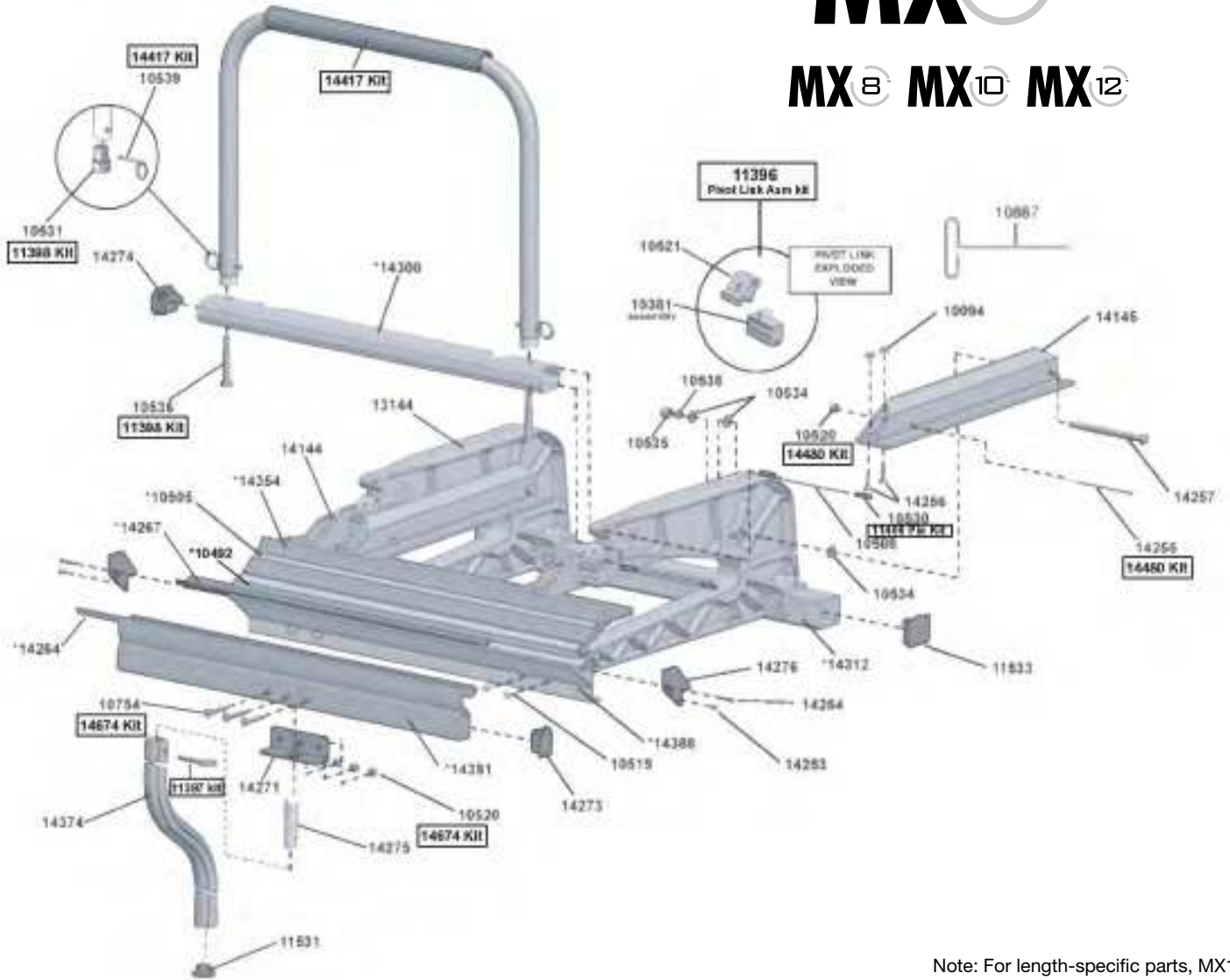


THE MX SERIES™

MX 8 MX 10 MX 12



Note: For length-specific parts, MX10 parts numbers are shown in diagram.

Item #	Description
10491	8'6" Stainless Edge
10492	10'6" Stainless Edge
10493	12'6" Stainless Edge
10504	12'6" Tape Measure
10505	10'6" Tape Measure
10506	8'6" Tape Measure
10519	¼-20 x ¾" Hex Wash HD Sc
10534	3/8" Flat Washer
10535	3/8-16 Nylock Hex Nut
10887	T-Handle Hex Key
11396	Pivot Link Assembly Kit (6)
11397	¼" x 1 ¼" Faspin Kit (4)
11398	Locking Handle Plug Kit Locking Handle Plug 3/8-16 x 2 ½" Bolt
11400	Locking bar Pin Kit 10 pins, 20 keepers
11531	Lifting Handle Cap
11533	Back Rail Cap
13144	C Castings
14144	Pivot Arm - Left
14145	Pivot Arm - Right

Item #	Description
14253	8-32 x 5/16" Phil Pan HD Sc
14254	8-32 x 1" Phil Pan HD Sc
14256	¼-20 x 1" FL HD Sc
14257	3/8-16 x 5" Hex Cap Bolt
14263	8'6" Rubber Strip
14264	10'6" Rubber Strip
14265	12'6" Rubber Strip
14266	8'6" Wear Strip
14267	10'6" Wear Strip
14268	12'6" Wear Strip
14271	Lifting Handle Support Bracket (2)
14273	Moving Hinge Cap
14274	Locking bar Cap
14276	Fixed Hinge Endcap
14299	8'6" Locking bar
14300	10'6" Locking bar
14301	12'6" Locking bar
14311	8'6" Back Rail
14312	10'6" Back Rail
14313	12'6" Back Rail
14353	8'6" Locking Anvil

Item #	Description
14354	10'6" Locking Anvil
14355	12'6" Locking Anvil
14374	Lifting Handle Assembly
14387	8'6" Fixed Hinge
14388	10'6" Fixed Hinge
14389	12'6" Fixed Hinge
14390	8'6" Moving Hinge
14391	10'6" Moving Hinge
14392	12'6" Moving Hinge
14414	Locking handle Assembly
14456	MX Series™ Brake Parts Bag 8'
14457	MX Series™ Brake Parts Bag 10'/12'
14480	Bolt and Nut Kit ¼-20 x 4 ½" Bolt (5) 14255 ¼-20 x Nylok Nut (5) 10520
14674	Lifting Handle Plug Kit ¼-20 x 1 ½" Bolt (2) 10518 ¼-20 Hex Flange Nut (2) 10094 Lifting Handle Plug (2) 14275

Parts sold in kits are not available for purchase individually.